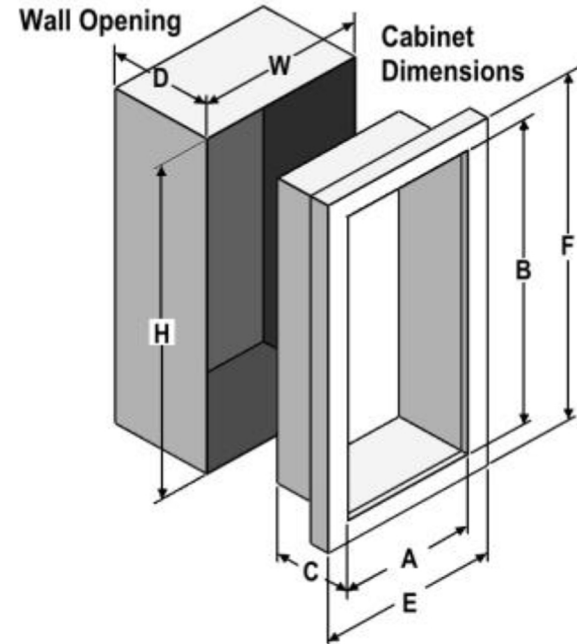


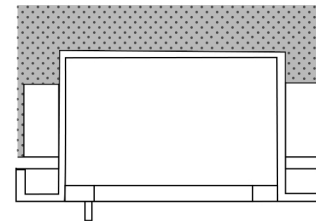
SQUARE TRIM SUBMITTAL : DIMENSIONS

| TRIM & DOOR SERIES # | | Tub I.D. | | | Frame O.D. | | Wall Opening | | |
|----------------------|---------------|----------|----|-------|------------|--------|--------------|----|-------|
| Model | Trim Style | A | B | C | E | F | W | H | D |
| 8136 | 1-1/2" Square | 9 | 18 | 5 1/2 | 12 3/8 | 21 3/8 | 10 | 19 | 4 1/8 |
| 1836 | 1-1/2" Square | 10 1/2 | 24 | 5 1/2 | 13 7/8 | 27 3/8 | 11 1/2 | 25 | 4 1/8 |
| 1036 | 1-1/2" Square | 10 1/2 | 24 | 6 | 13 7/8 | 27 3/8 | 11 1/2 | 25 | 4 5/8 |
| 2036 | 1-1/4" Square | 12 | 27 | 7 3/4 | 15 3/8 | 30 3/8 | 13 | 28 | 6 5/8 |
| 3036 | 1-1/4" Square | 16 | 32 | 7 3/4 | 19 3/8 | 35 3/8 | 17 | 33 | 6 5/8 |
| 4036 | 1-1/4" Square | 20 | 27 | 7 3/4 | 23 3/8 | 30 3/8 | 21 | 28 | 6 5/8 |

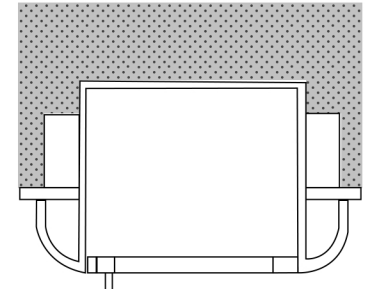


ROLLED TRIM SUBMITTAL : DIMENSIONS

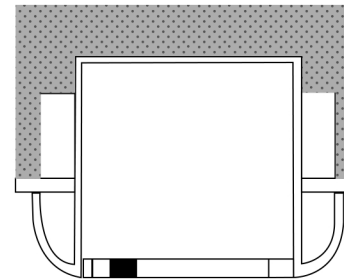
| TRIM & DOOR SERIES # | | Tub I.D. | | | Frame O.D. | | Wall Opening | | |
|----------------------|---------------|----------|----|-------|------------|--------|--------------|----|-------|
| Model | Trim Style | A | B | C | E | F | W | H | D |
| 8137 | 2-1/2" Rolled | 9 | 18 | 5 1/2 | 12 3/8 | 21 3/8 | 10 | 19 | 3 1/8 |
| 2037 | 2-1/2" Rolled | 12 | 27 | 7 3/4 | 15 3/8 | 30 3/8 | 13 | 28 | 5 3/8 |
| 3037 | 2-1/2" Rolled | 16 | 32 | 7 3/4 | 19 3/8 | 35 3/8 | 17 | 33 | 5 3/8 |
| 4037 | 2-1/2" Rolled | 20 | 27 | 7 3/4 | 23 3/8 | 30 3/8 | 21 | 28 | 5 3/8 |
| 1837 | 3" Rolled | 10 1/2 | 24 | 5 1/2 | 13 7/8 | 27 3/8 | 11 1/2 | 25 | 2 5/8 |
| 1037 | 3" Rolled | 10 1/2 | 24 | 6 | 13 7/8 | 27 3/8 | 11 1/2 | 25 | 3 1/8 |
| 1838 | 4-1/2" Rolled | 10 1/2 | 24 | 5 1/2 | 13 7/8 | 27 3/8 | 11 1/2 | 25 | 1 1/8 |
| 1038 | 4-1/2" Rolled | 10 1/2 | 24 | 6 | 13 7/8 | 27 3/8 | 11 1/2 | 25 | 1 5/8 |
| 2038 | 4-1/2" Rolled | 12 | 27 | 7 3/4 | 15 3/8 | 30 3/8 | 13 | 28 | 3 3/8 |
| 3038 | 4-1/2" Rolled | 16 | 32 | 7 3/4 | 19 3/8 | 35 3/8 | 17 | 33 | 3 3/8 |
| 4038 | 4-1/2" Rolled | 20 | 27 | 7 3/4 | 23 3/8 | 30 3/8 | 21 | 28 | 3 3/8 |



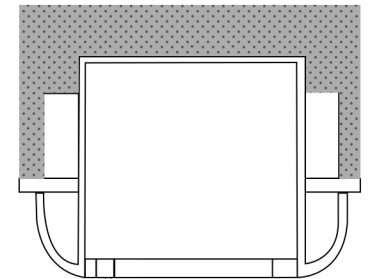
1-1/2" Square Trim



2-1/2, 3" Rolled Edge



4" Rolled-Flush Pull



4.5" Rolled Edge

ROLLED-FLUSH PULL TRIM SUBMITTAL : DIMENSIONS

| TRIM & DOOR SERIES # | | Tub I.D. | | | Frame O.D. | | Wall Opening | | |
|----------------------|-------------------|----------|----|-------|------------|--------|--------------|----|-------|
| Model | Trim Style | A | B | C | E | F | W | H | D |
| 1832 | Rolled-Flush Pull | 10 1/2 | 24 | 5 1/2 | 13 7/8 | 27 3/8 | 11 1/2 | 25 | 1 7/8 |
| 1032 | Rolled-Flush Pull | 10 1/2 | 24 | 6 | 13 7/8 | 27 3/8 | 11 1/2 | 25 | 2 3/8 |
| 2032 | Rolled-Flush Pull | 12 | 27 | 7 3/4 | 15 3/8 | 30 3/8 | 13 | 28 | 4 1/8 |
| 3032 | Rolled-Flush Pull | 16 | 32 | 7 3/4 | 19 3/8 | 35 3/8 | 17 | 33 | 4 1/8 |
| 4032 | Rolled-Flush Pull | 20 | 27 | 7 3/4 | 23 3/8 | 30 3/8 | 21 | 28 | 4 1/8 |